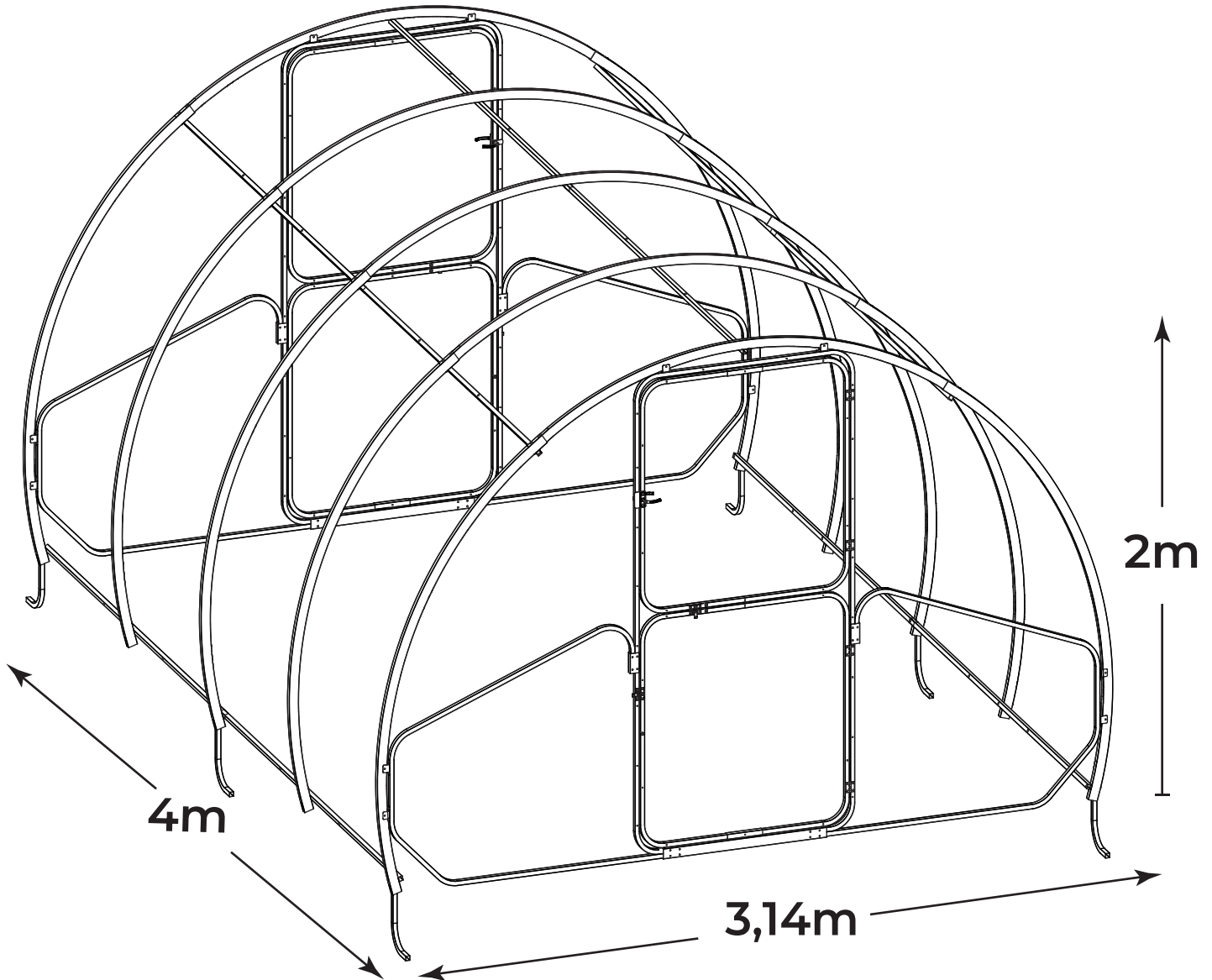


GREENHOUSE Modular Arc

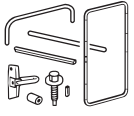
3,14x4 (←1m→)



The company reserves the right to change the design in order to improve the consumer qualities of the product. Due to continuous improvement of product design and technological process there may be some minor differences between the datasheet and the product that do not reduce the consumer qualities of the product.

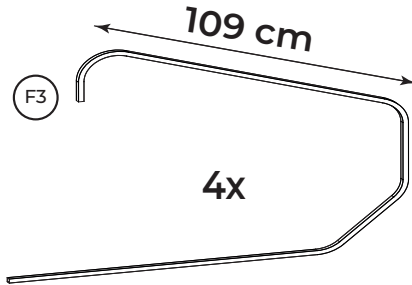


PACKAGE CONTENTS

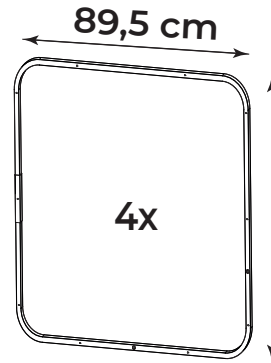


INCLUDED COMPONENTS
3x4 ←1m→

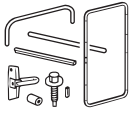
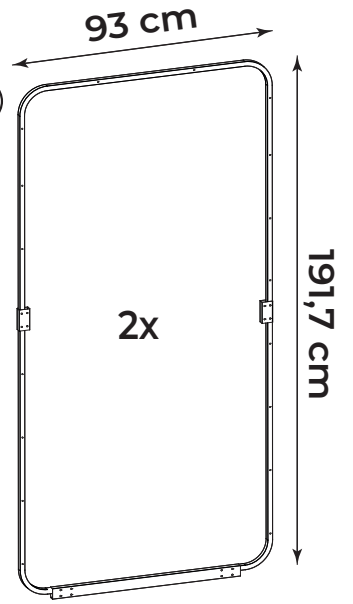
BASE



(F1)

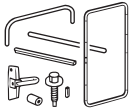
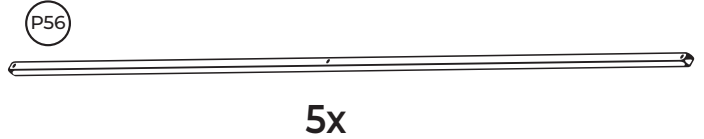


(F2)



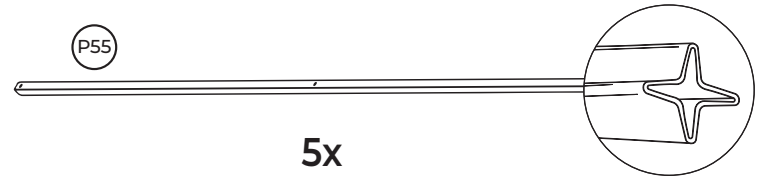
INCLUDED COMPONENTS
←1m→

CROSSBARS START



INCLUDED COMPONENTS
3x2 ←1m→

CROSSBARS EXTENSION



INCLUDED COMPONENTS
3x4 ←1m→

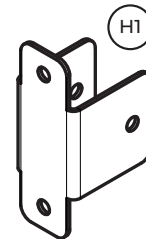
FASTENERS BASE



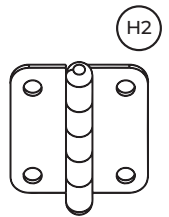
150x



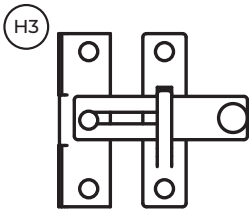
160x



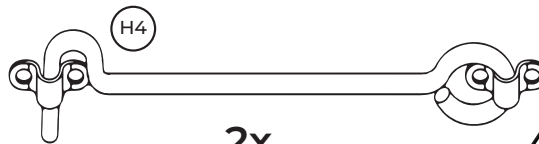
12x



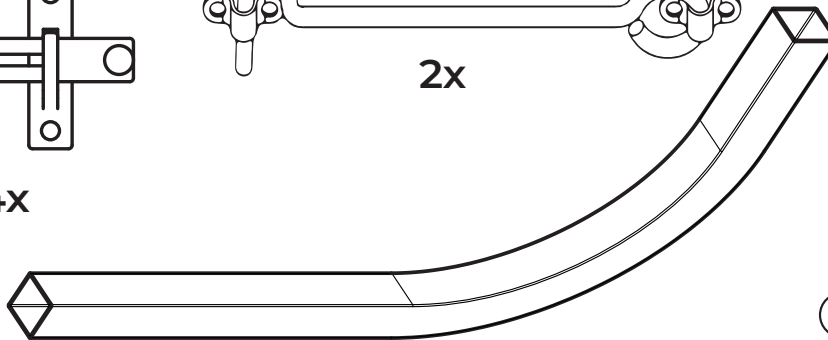
8x



4x

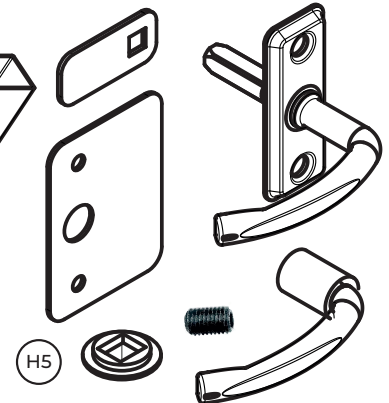


2x



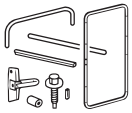
(F4)

2x



(H5)

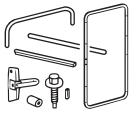
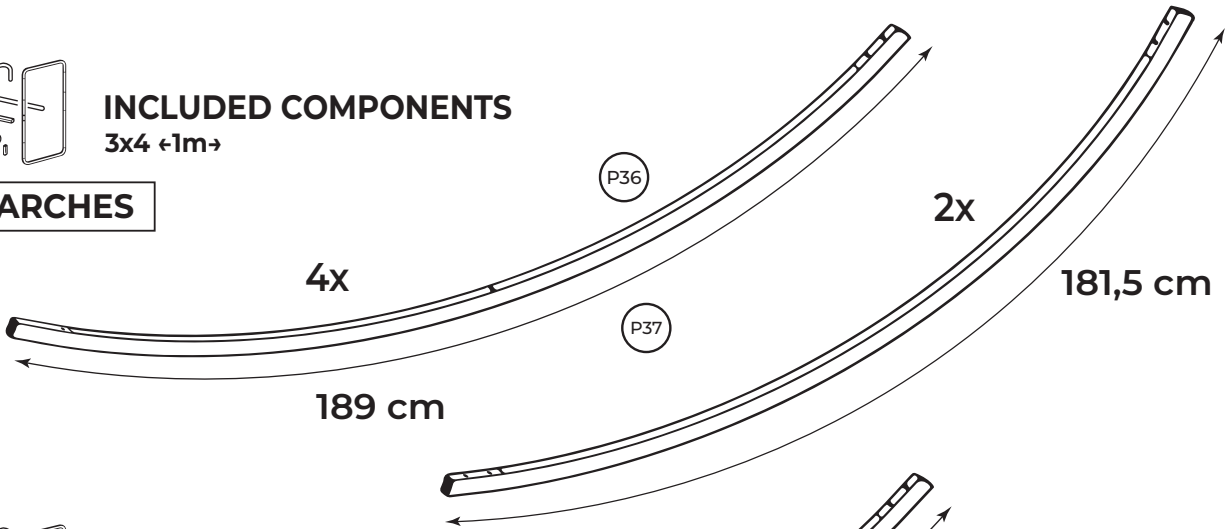
2x



INCLUDED COMPONENTS

3x4 ←1m→

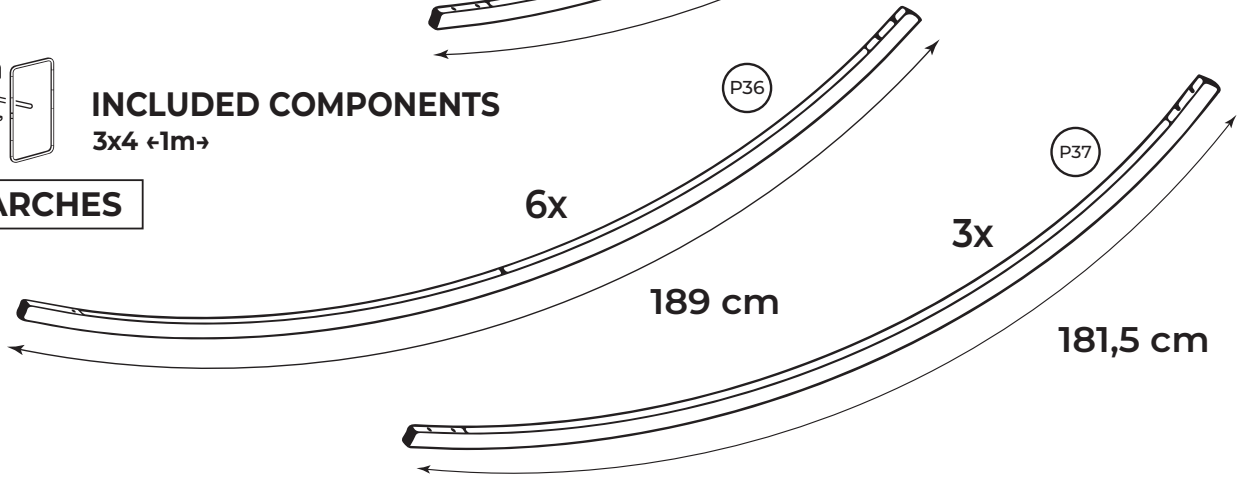
2 ARCHES



INCLUDED COMPONENTS

3x4 ←1m→

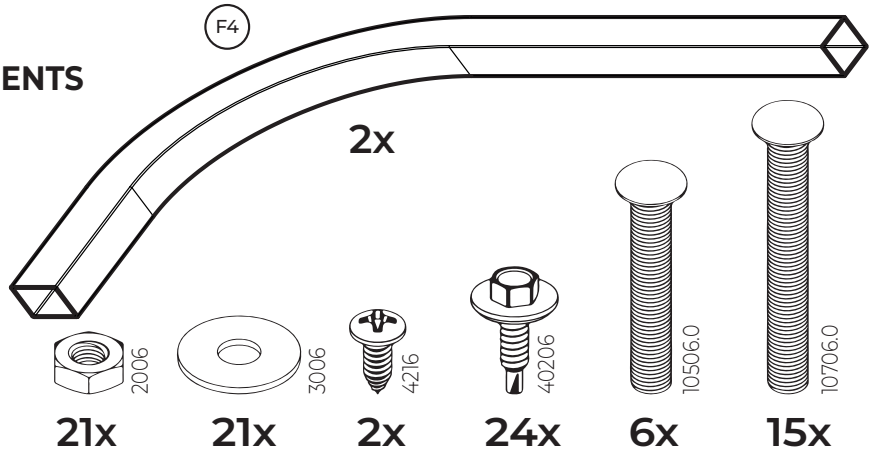
3 ARCHES



INCLUDED COMPONENTS

3x2 ←1m→

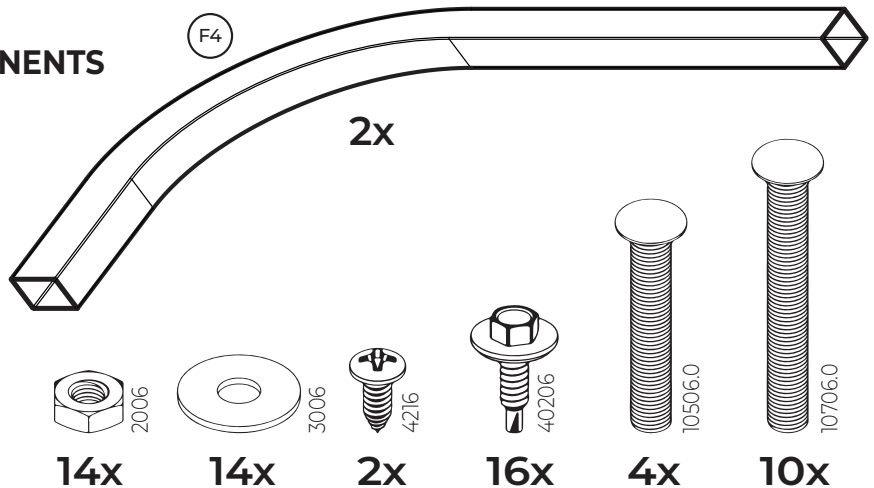
FASTENERS 3 ARCHES



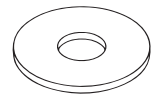
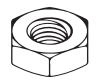
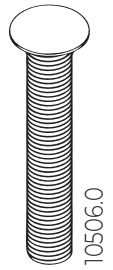
INCLUDED COMPONENTS

3x2 ←1m→

FASTENERS 2 ARCHES



1

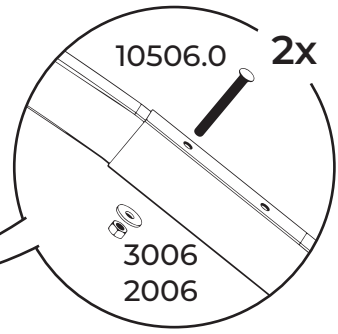


(P36)

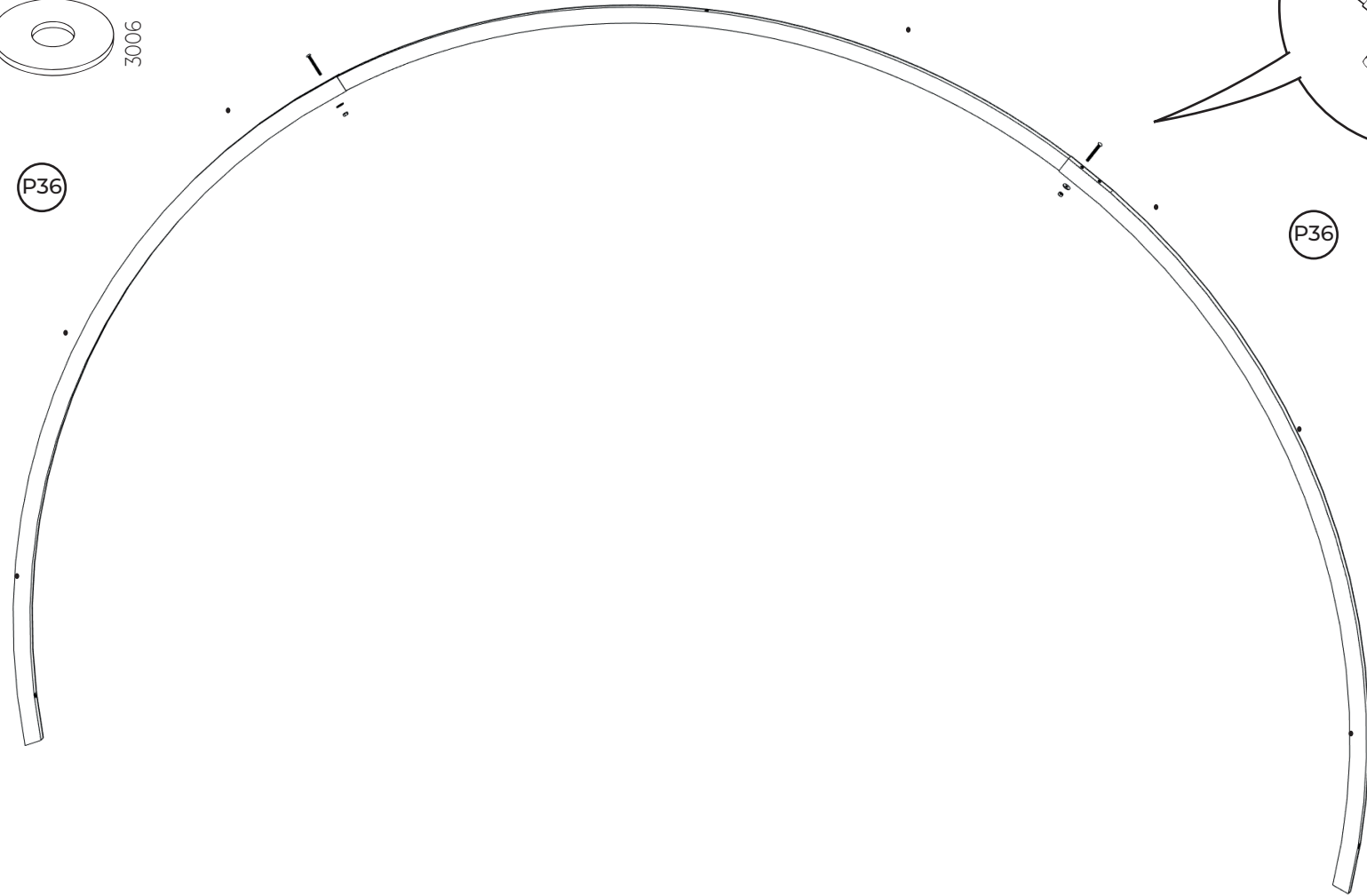
x10

(P37)

(P36)

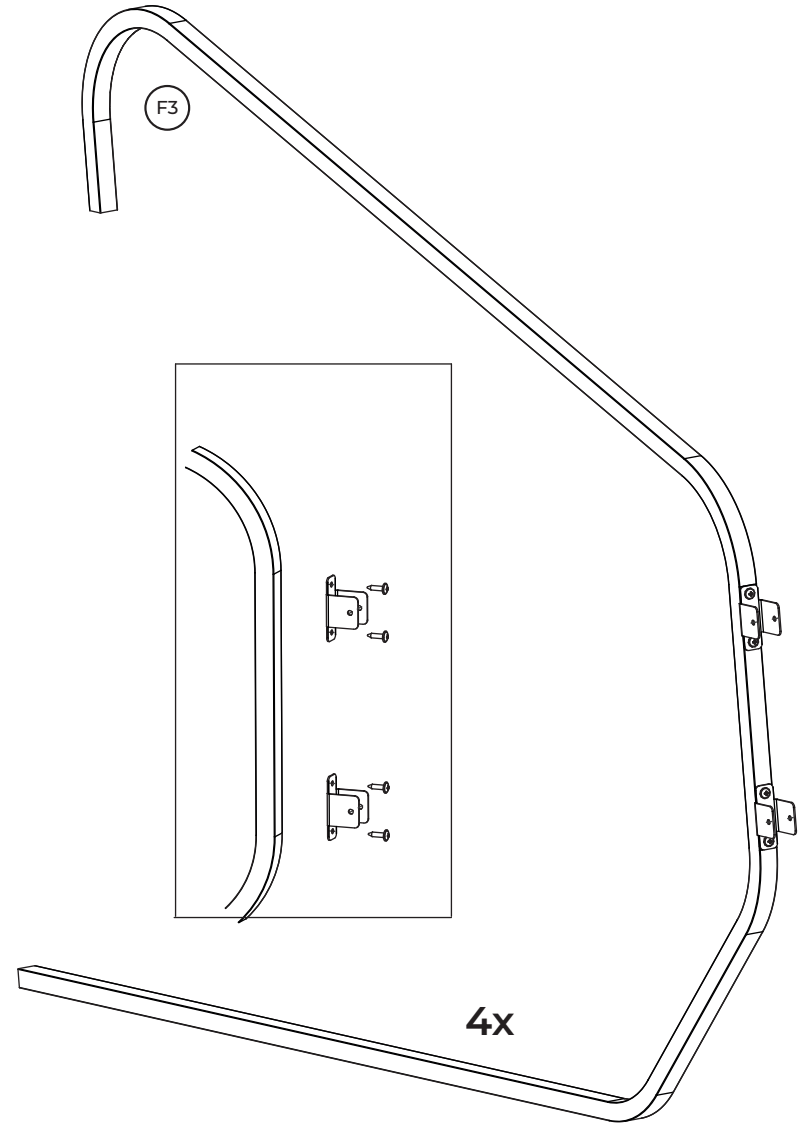
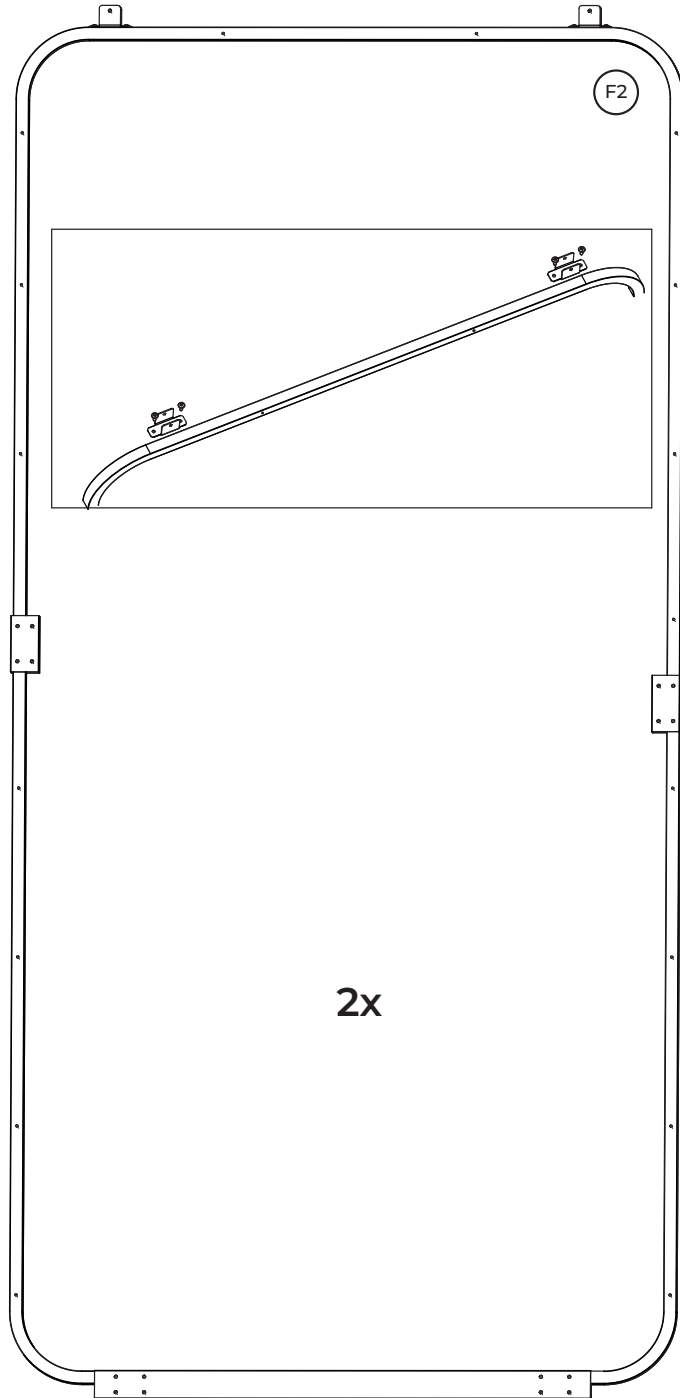


5x

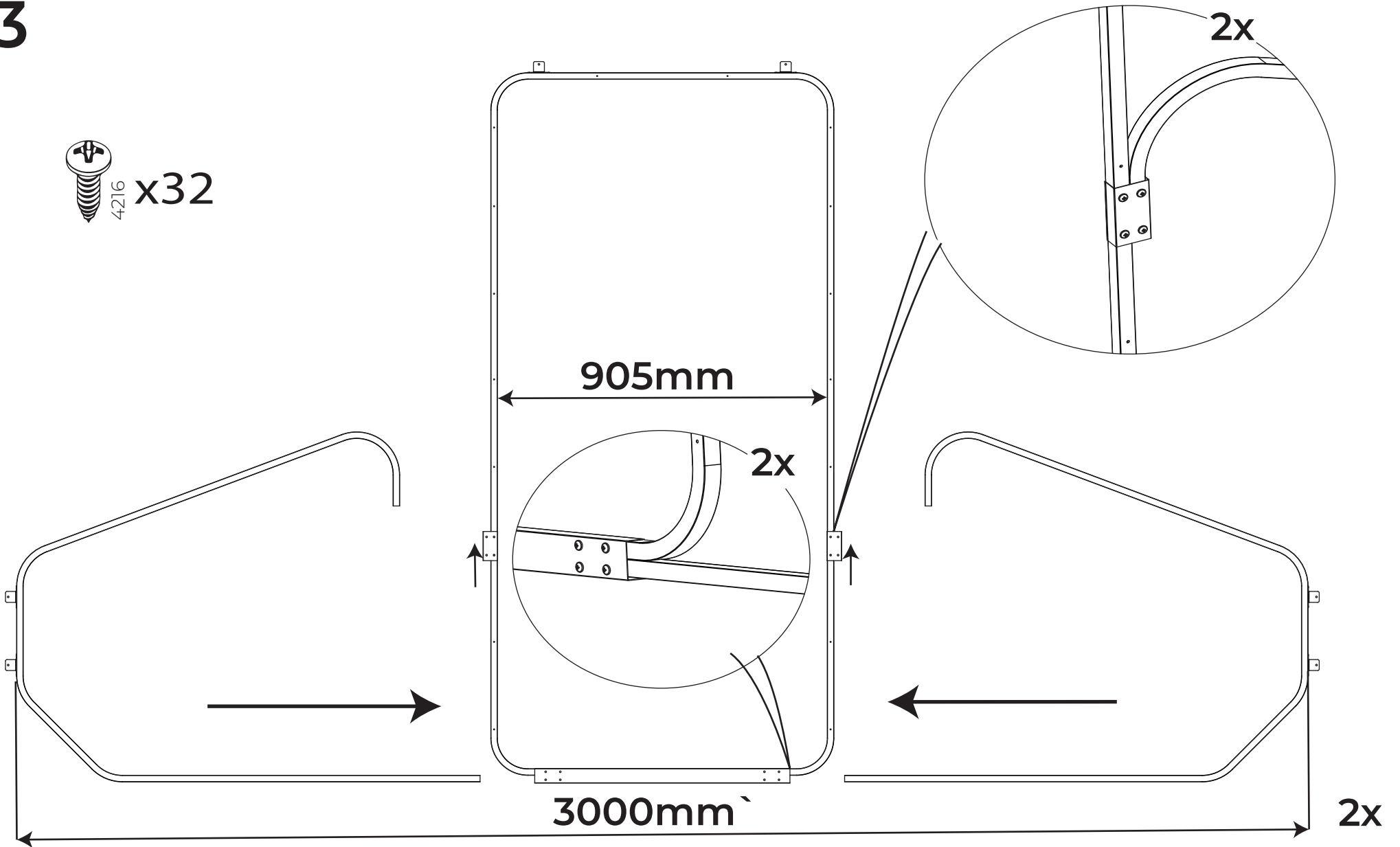


2

 4216 x24

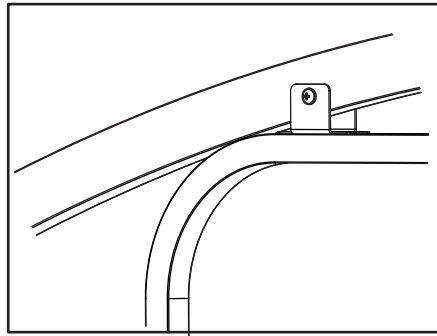


3

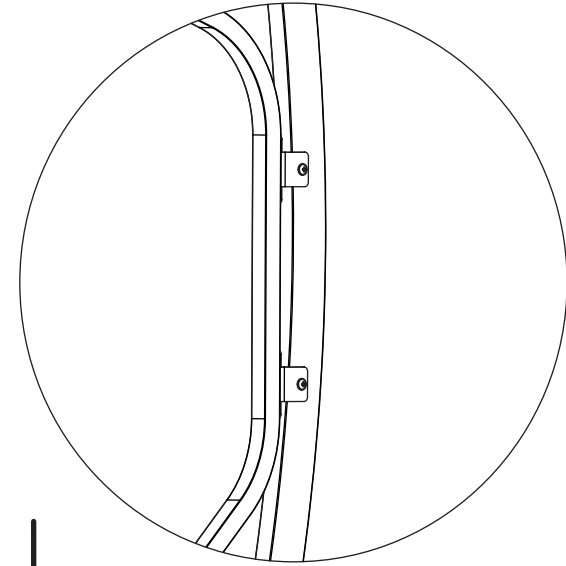
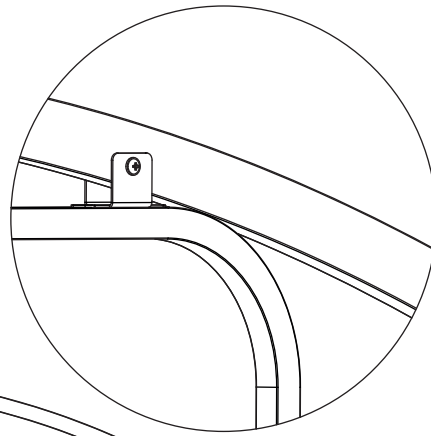


4

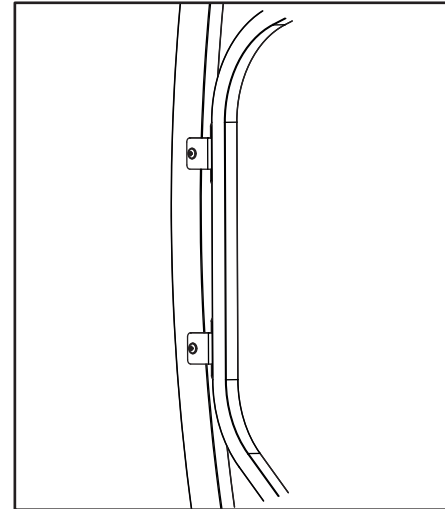
 4216 x24



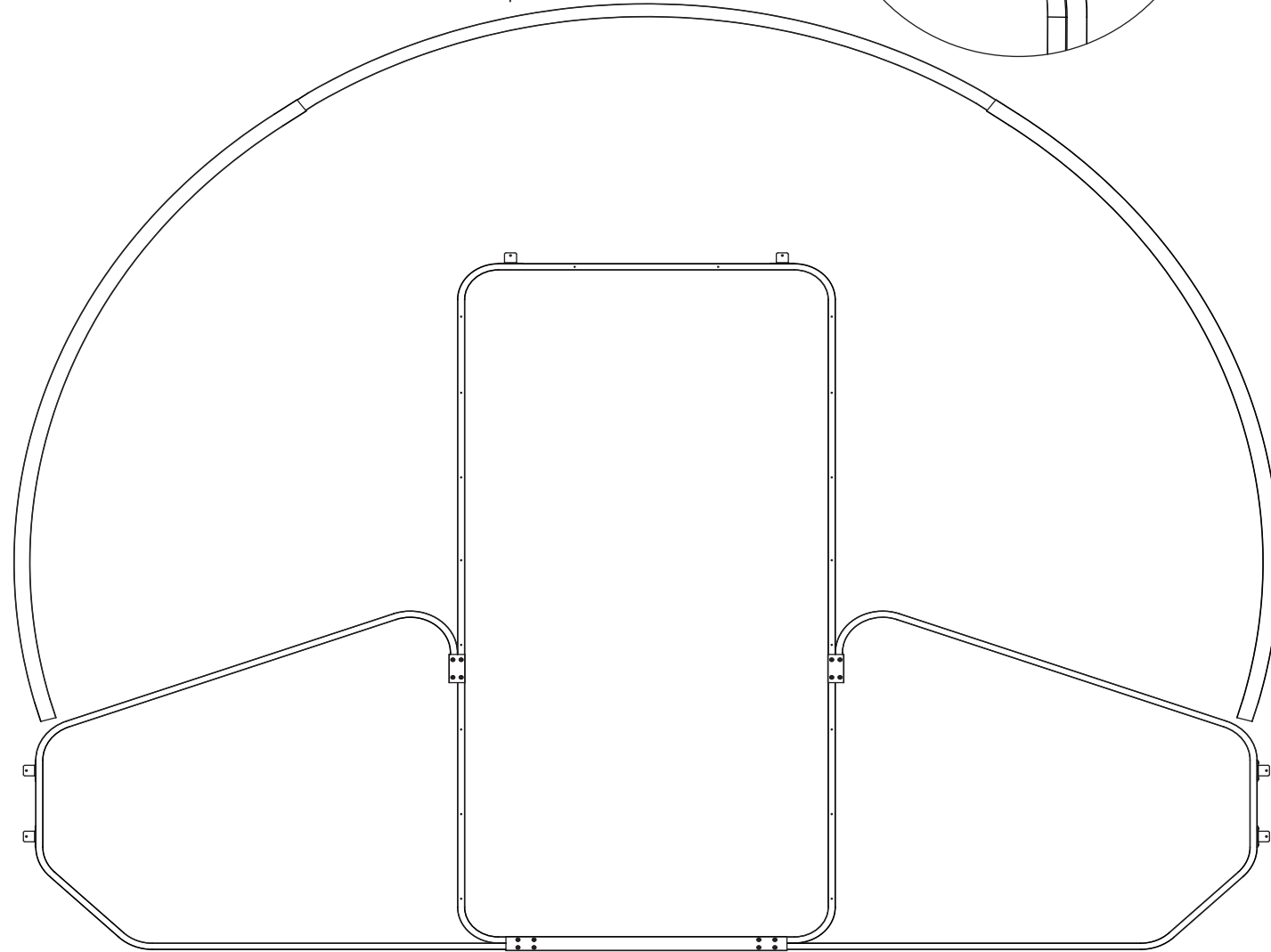
G



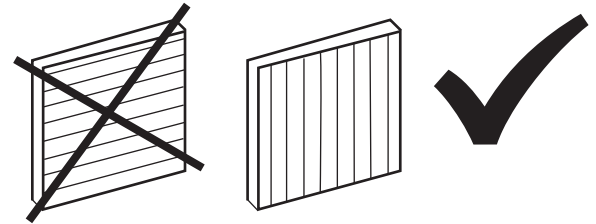
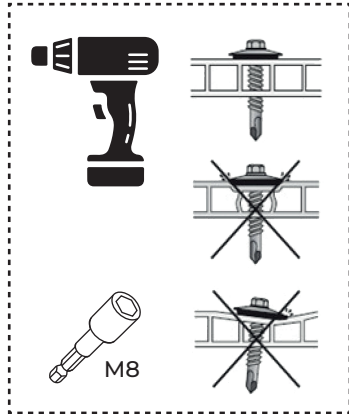
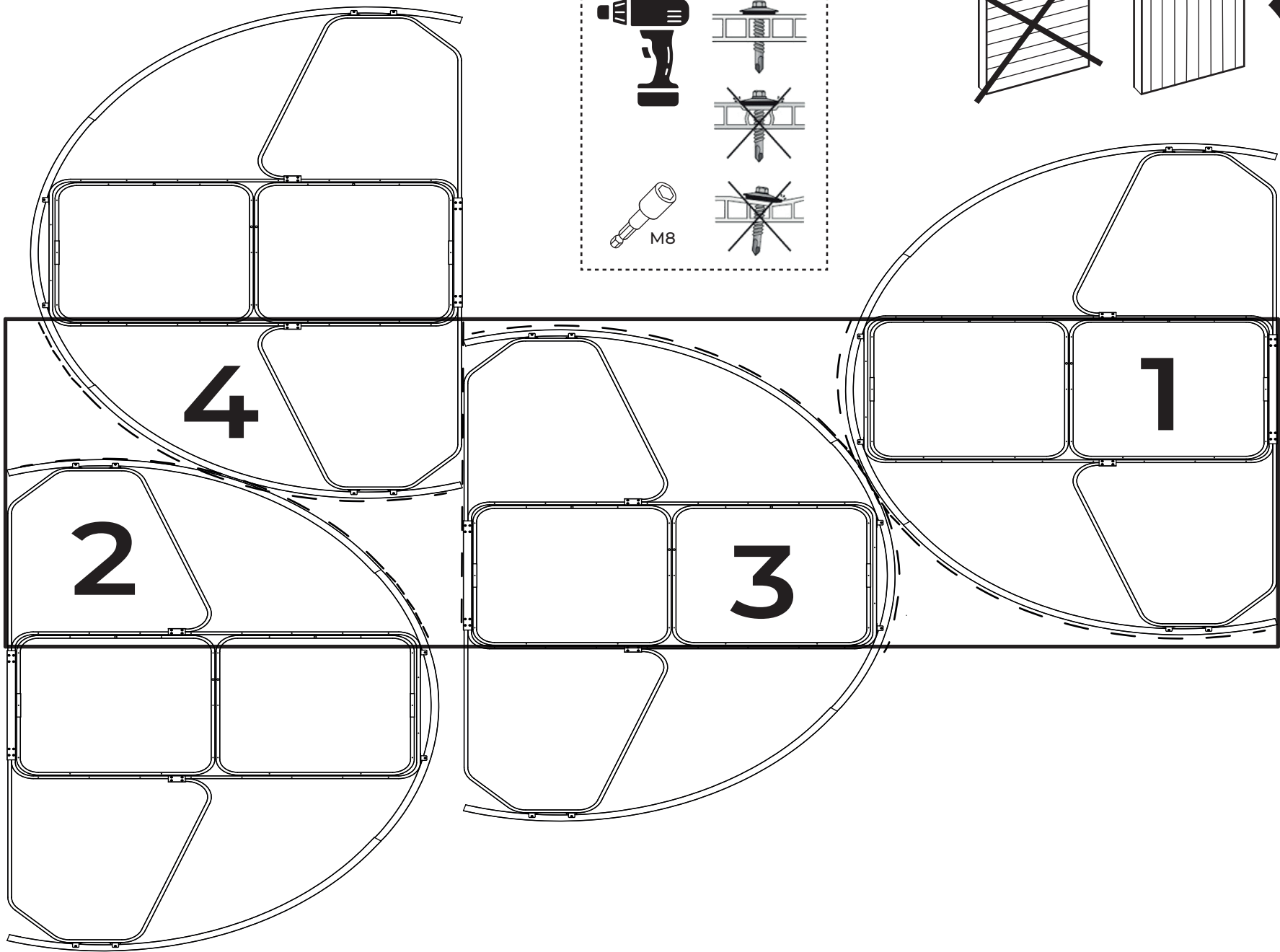
G



2x

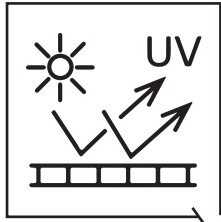


5

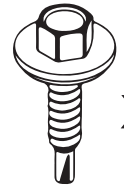
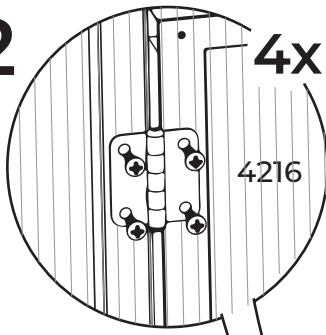


M8

6

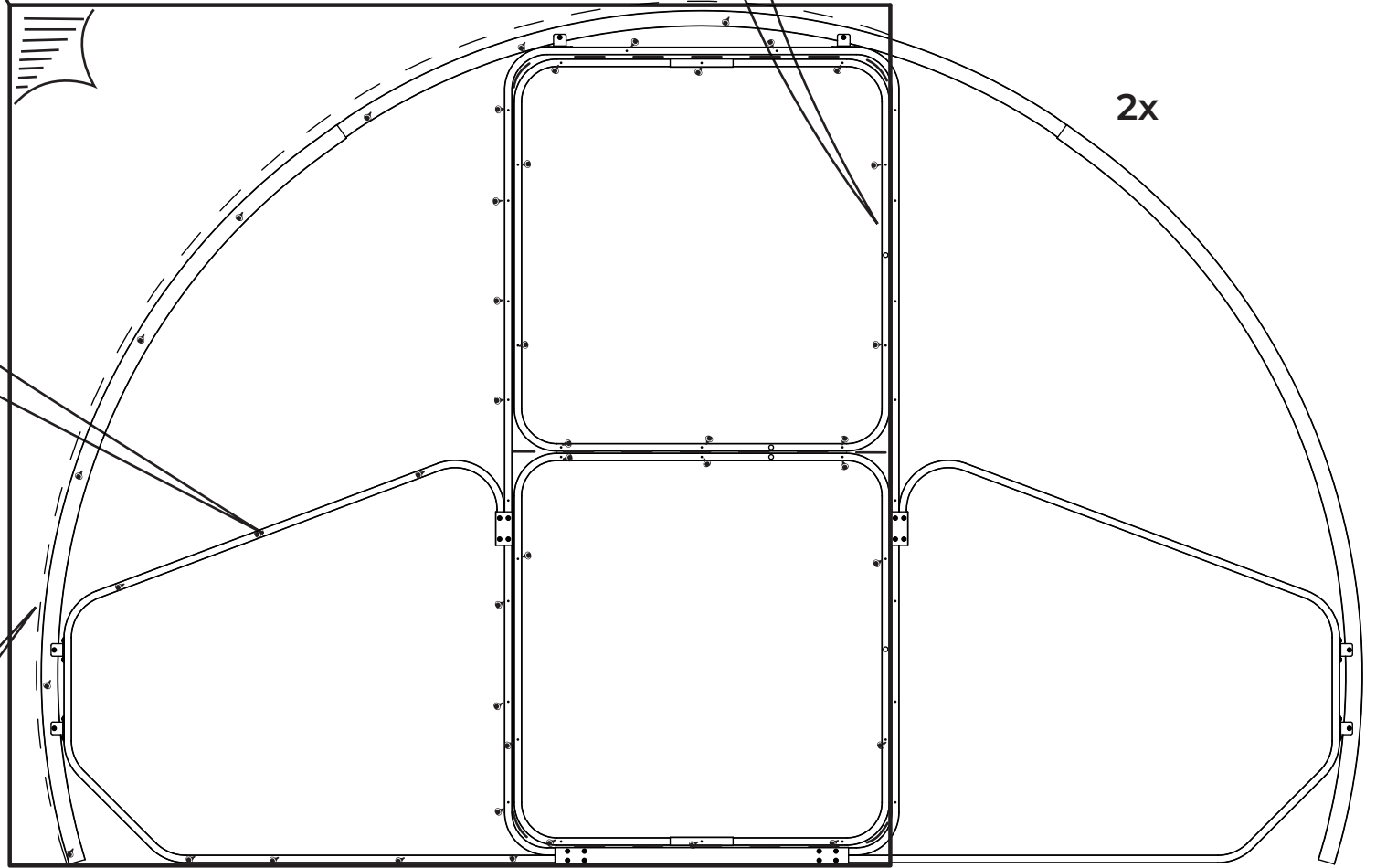
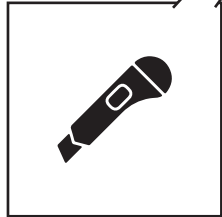
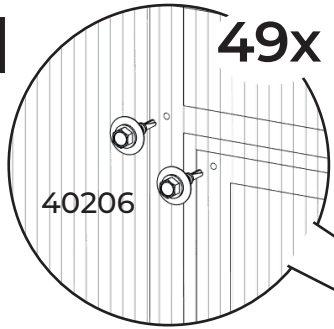


2

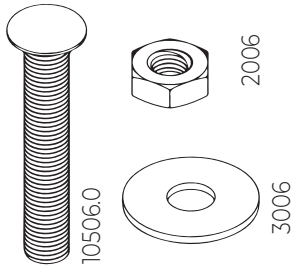


x150

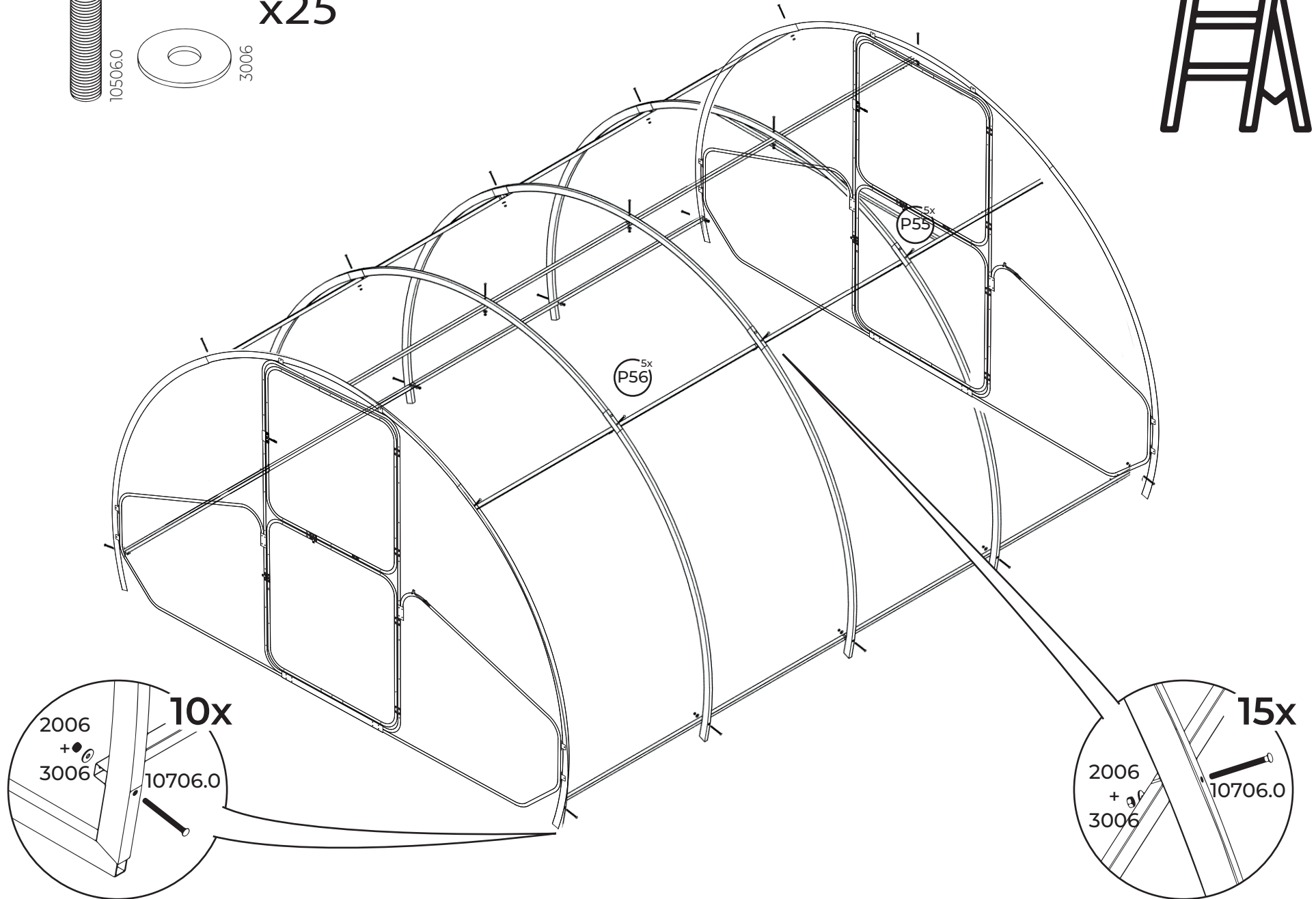
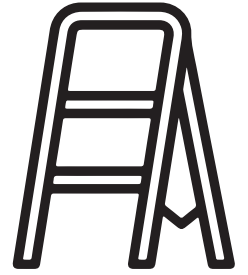
1

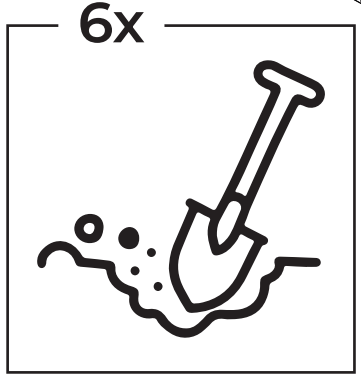
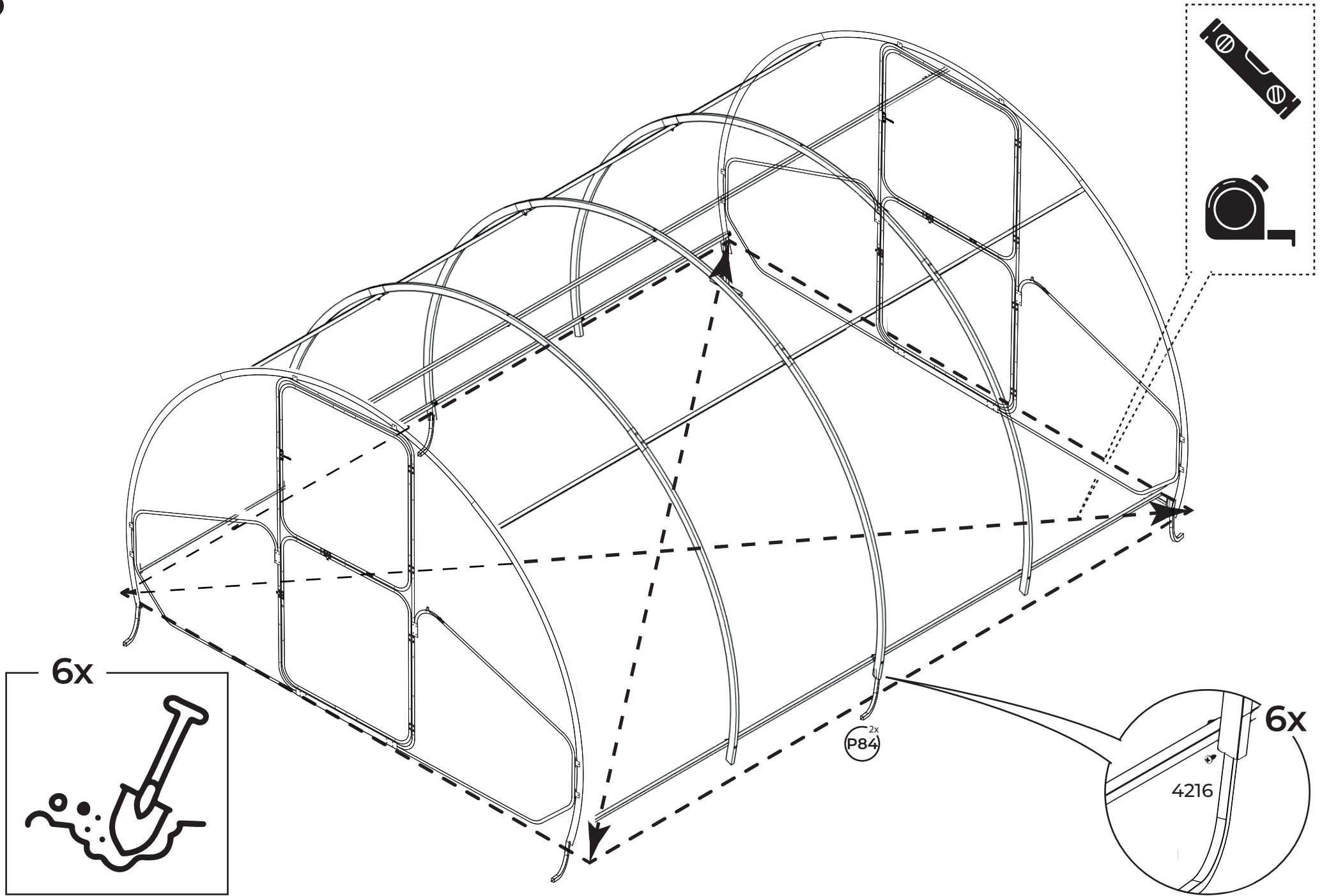


7

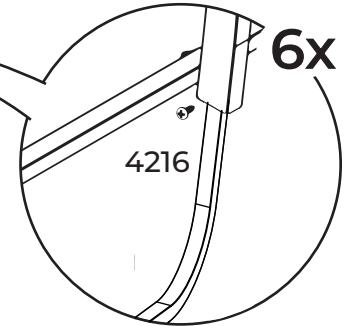


x25





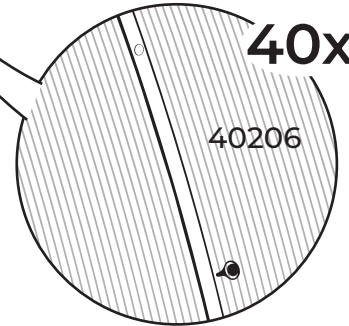
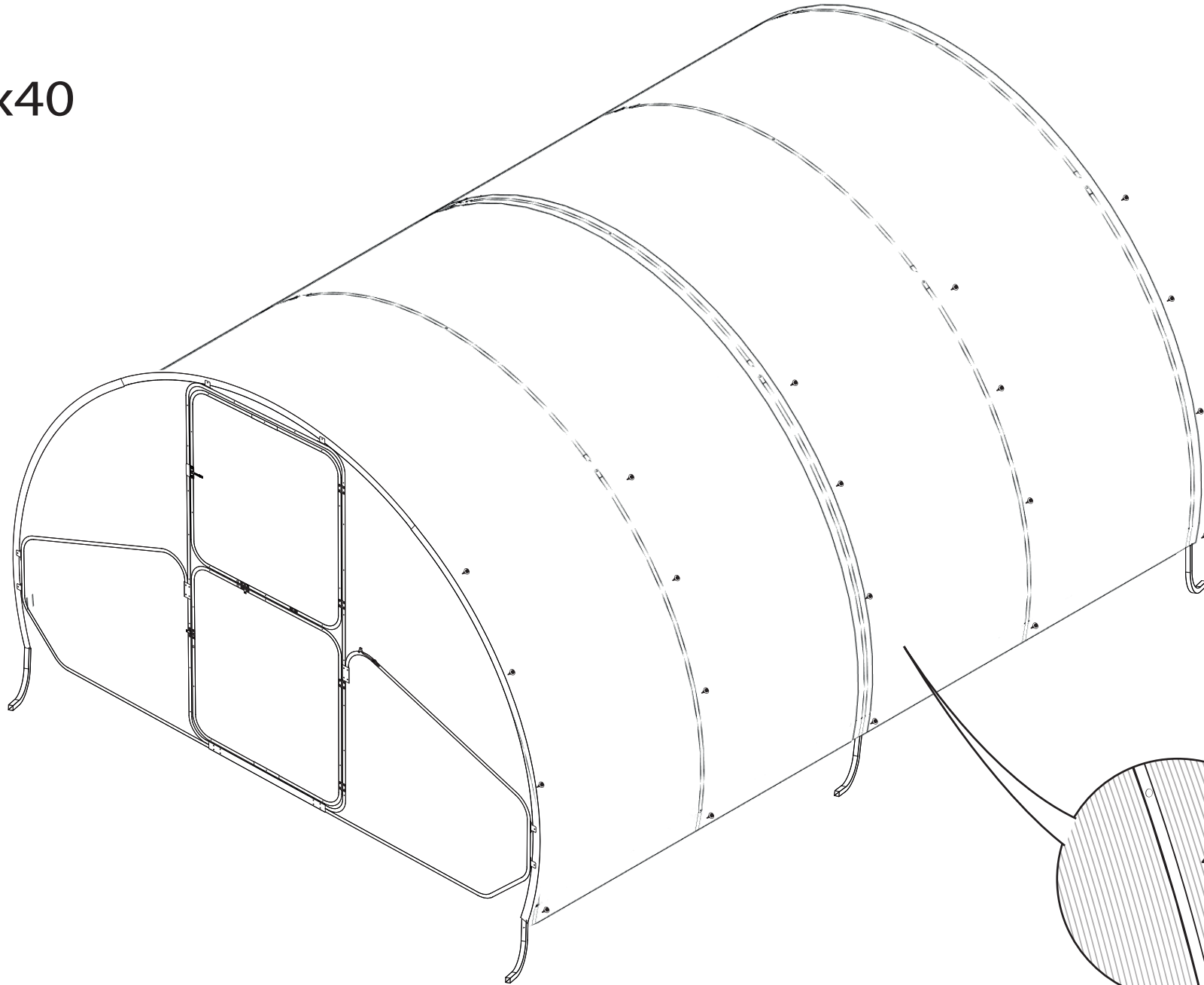
2x
P84



9



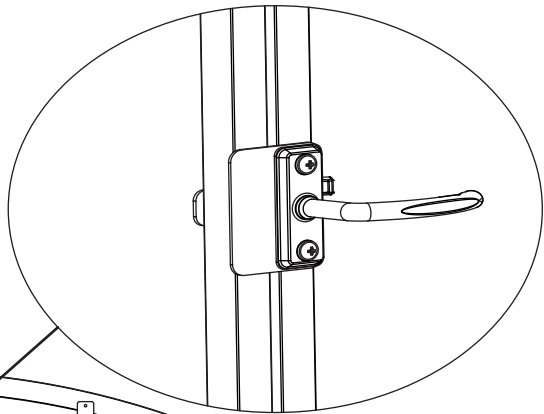
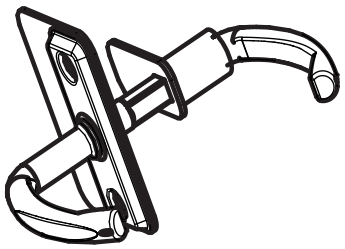
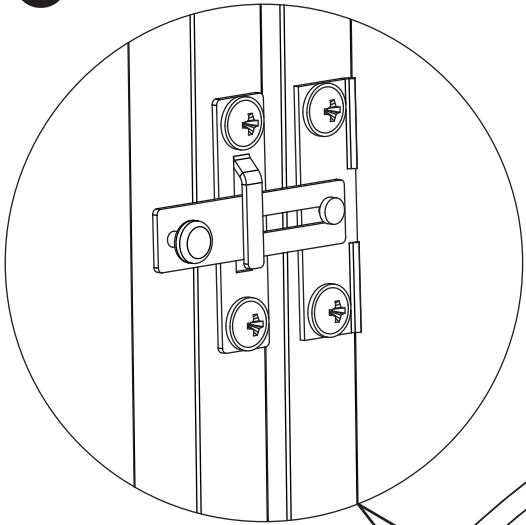
x40



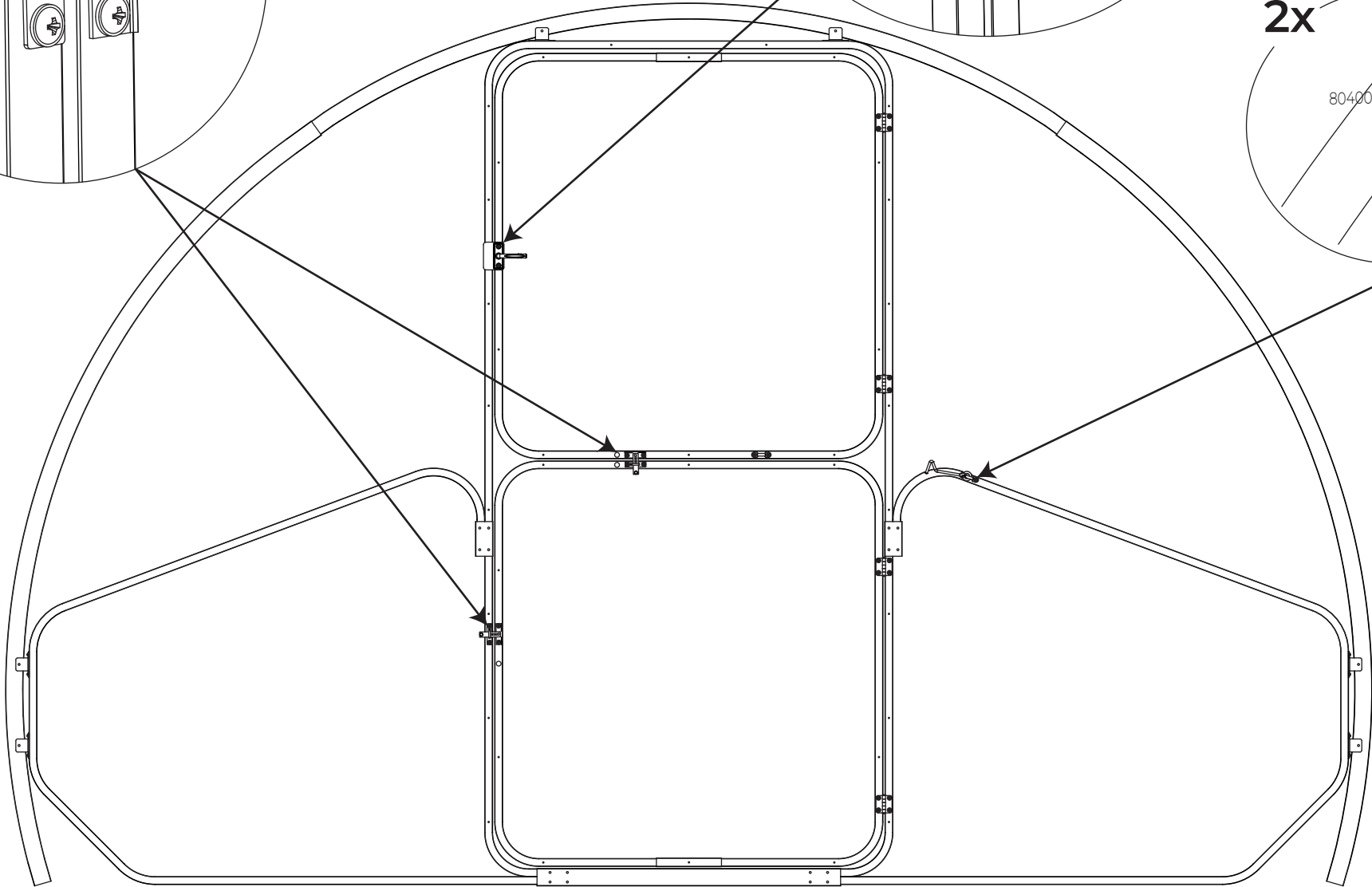
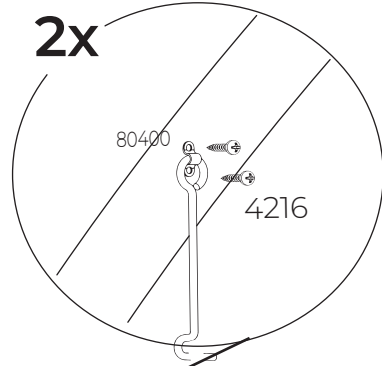
40x

40206

10

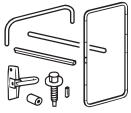


 4216 x24



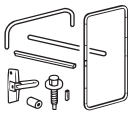
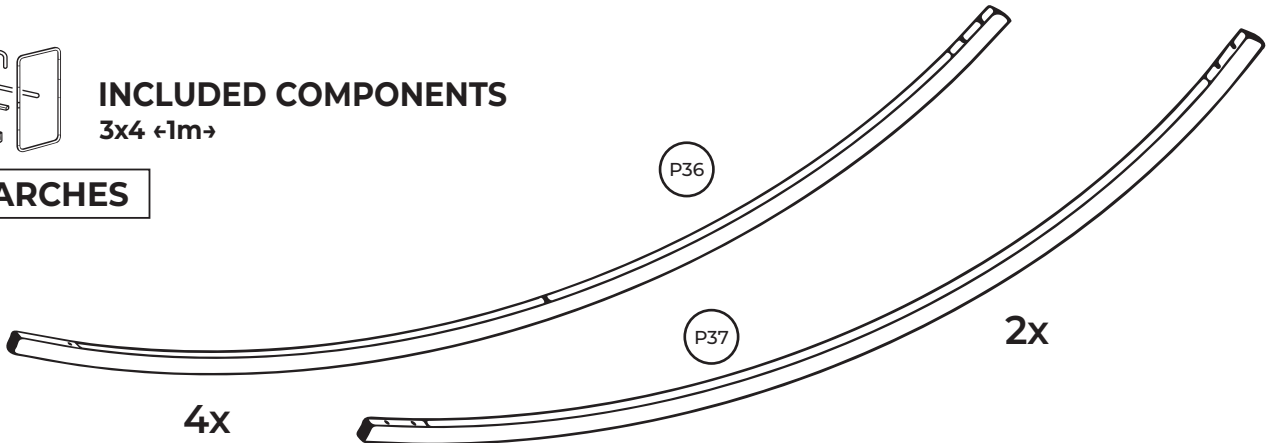
2x

EXTENSION KIT + 2m



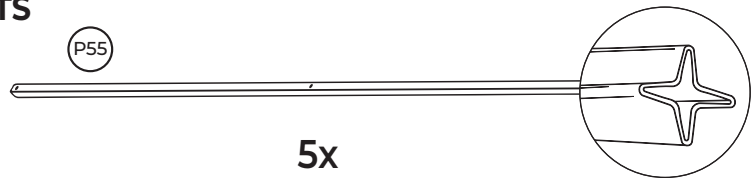
INCLUDED COMPONENTS
3x4 ←1m→

2 ARCHES



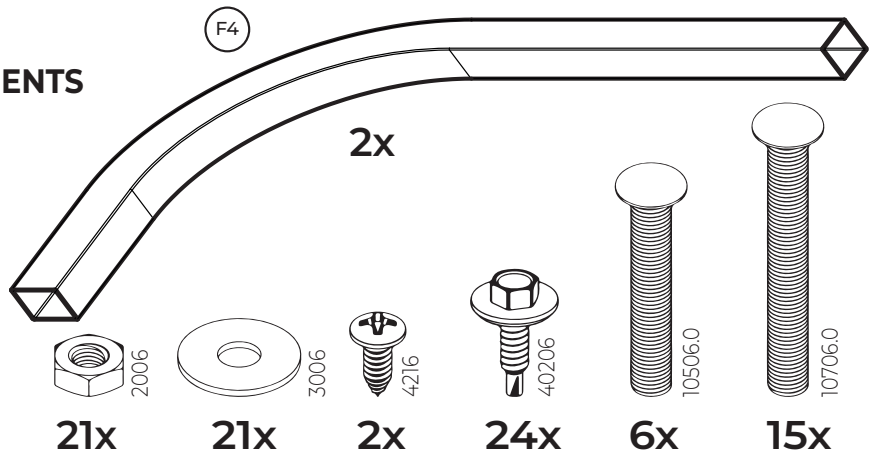
INCLUDED COMPONENTS
3x2m ←1m→

CROSSBARS EXTENSION

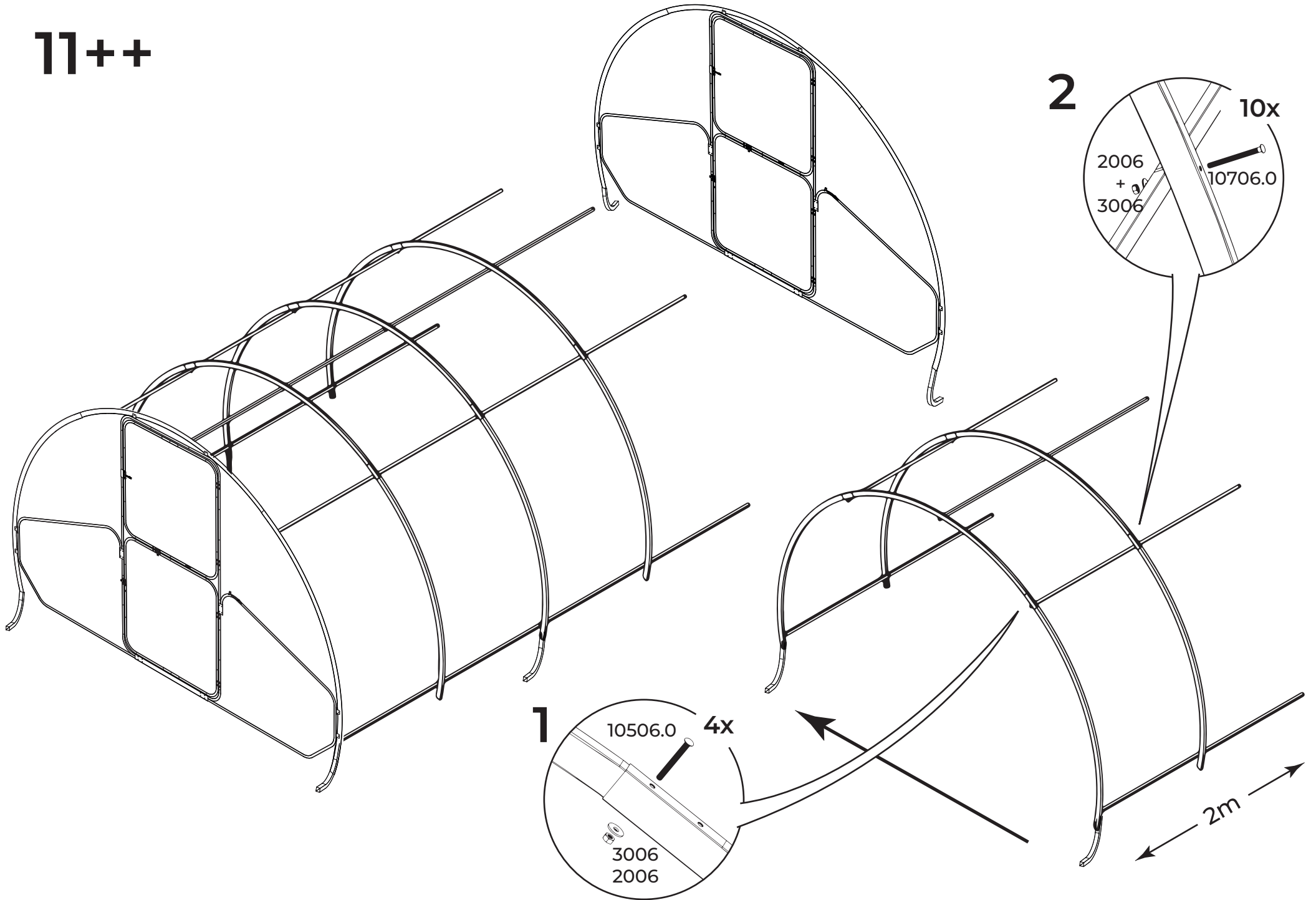


INCLUDED COMPONENTS
3x4 ←1m→

FASTENERS 3 ARCHES

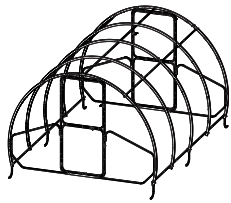


11++



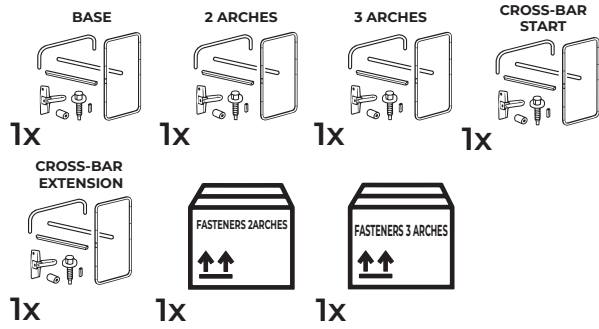
Polycarbonate

Boxes

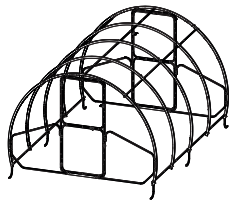


3x 2,1x6m

3,14x4m

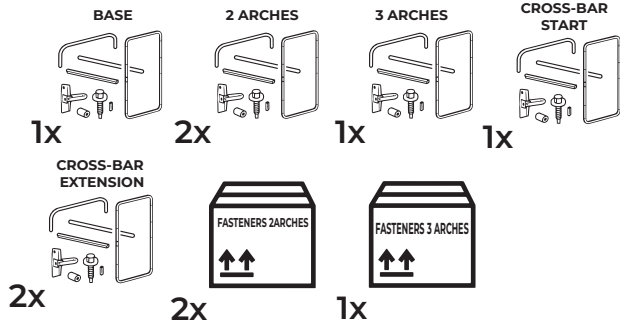


=7

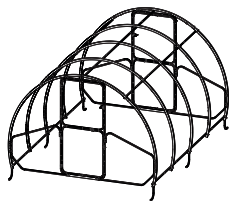


4x 2,1x6m

3,14x6m

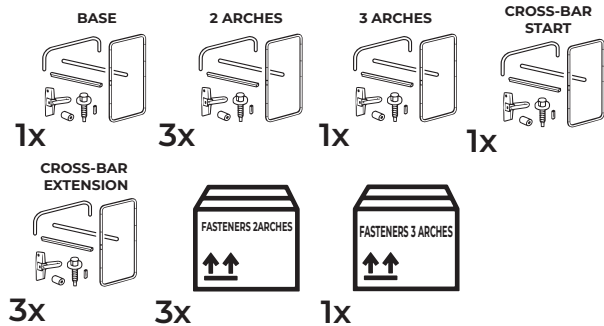


=10

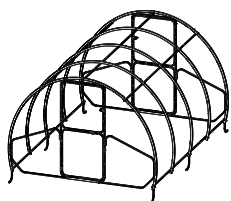


5x 2,1x6m

3,14x8m

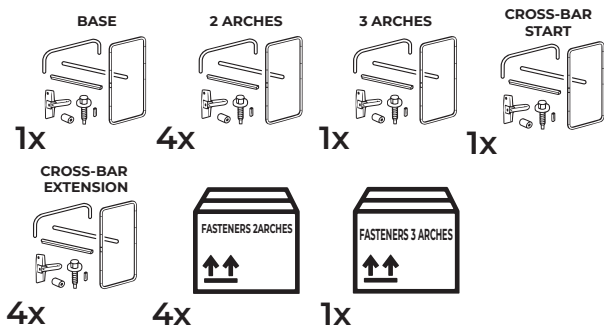


=13

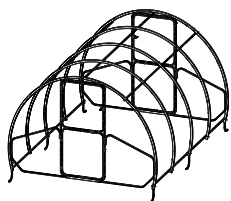


6x 2,1x6m

3,14x10m

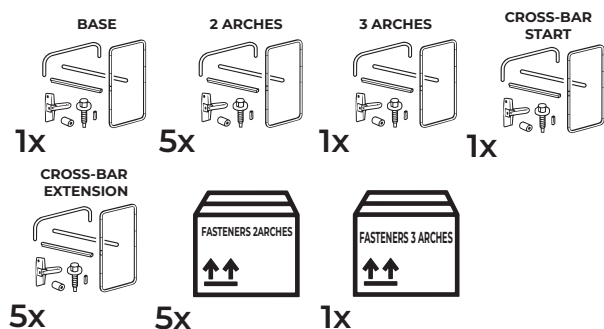


=16



7x 2,1x6m

3,14x12m



=20

NECESSARY TOOL

